

AT THE FOREFRONT
OF NEONATAL
TRANSPORTATION



ABOUT US

Vanguard Medical are experts in developing critical care transport solutions, whether it be transporting neonates by road, or simply transferring around hospitals, Our team has decades of experience in the consultancy, design and manufacturing of medical trolleys, which is unrivalled by anyone in the transport industry.

**DEDICATED RESEARCH &
DEVELOPMENT TEAMS**



**BRITISH
MANUFACTURING**



**STATE-OF-THE-ART
PRODUCT DEVELOPMENT**



**SPECIALISTS IN
NEONATAL MEDICAL
TRANSPORTATION
SOLUTIONS**



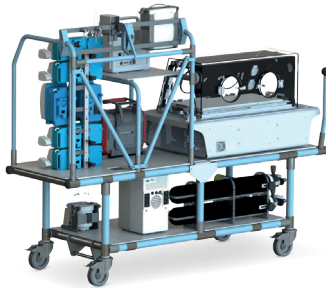
With a pedigree of over 100 years of experience in manufacturing, we have a great reputation in exceeding customer expectations. Our quality systems, services and highly skilled team ensure we can offer best in customer service.

With up to date knowledge and relationships with manufacturers of medical equipment and experts in the field of critical care transport, Vanguard are able to provide an off the shelf solution, and offer bespoke solutions where further expertise is required, giving you complete peace of mind.



We understand that critical care transport teams have different requirements for equipment and equipment positions needed for transporting critically ill neonates, and can require a bespoke solution.

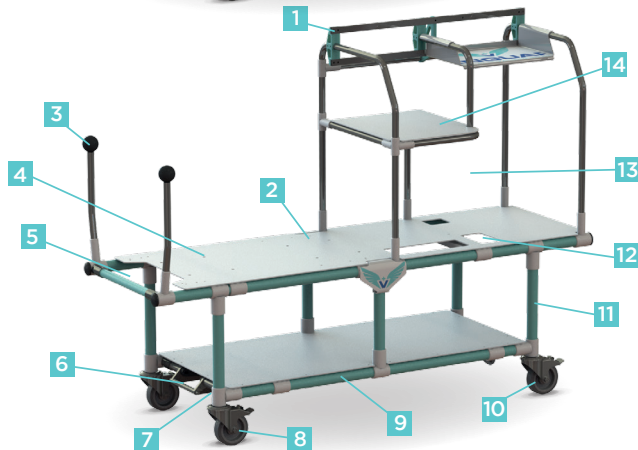
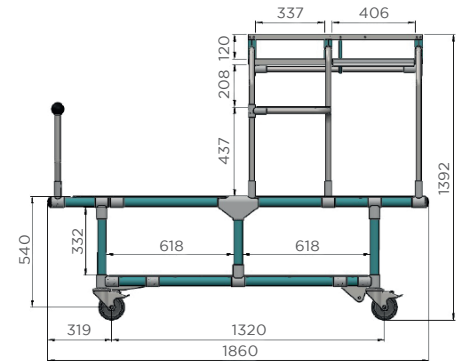
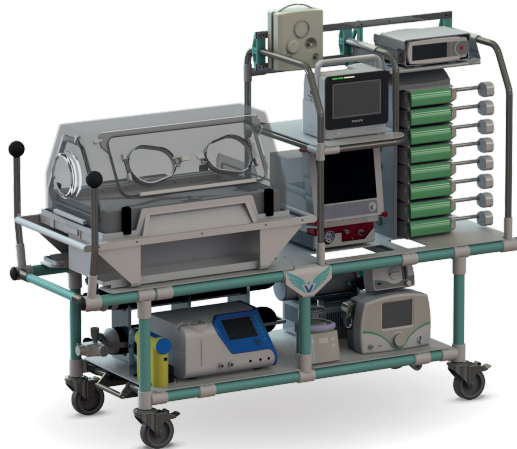
Our design team will take your equipment list and propose a design which can then be fine-tuned with the input of you and your team, to give a solution that meets your clinical needs. We will work with you every step of the way, including various design layouts using our state-of-the-art CAD software, to ensure the design meets relevant standards and a trial run of the equipment layout so you can get a feel for the trolley and equipment positions before final manufacture.



With the solution being built on a crash tested framework, there is also the possibility that read across can be applied for from the VCA on the crash testing, giving you a CEN compliant trolley to BS EN 1789:2020 and bespoke to your clinical needs.



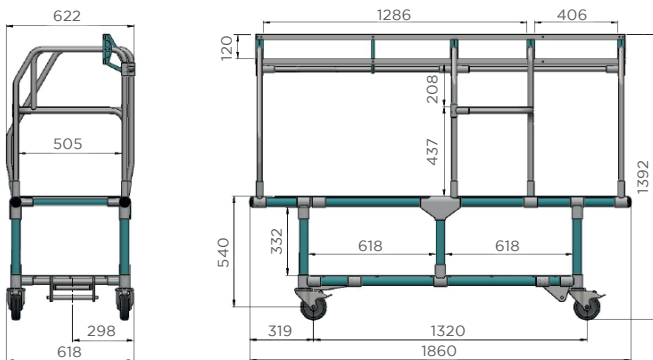
HALF RAIL OPTION



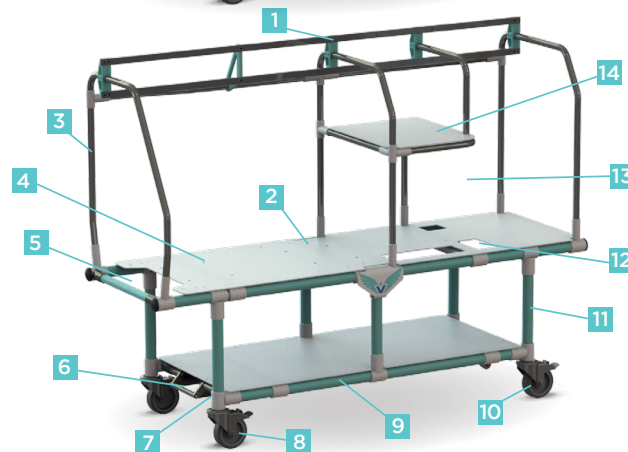
- 1 Equipment rail meeting EN ISO 19054
- 2 Data plate for identification
- 3 Push bars
- 4 Hole options allow for attachment of a range of incubators
- 5 Access to cylinders on bottom shelf
- 6 Two part lock attachment brackets with adjustable wedge at head end to allow for subtle tolerances in ambulance
- 7 Winch points for ramp loading ambulances



FULL RAIL OPTION



- 8** 125mm Diameter total lock castor wheels
- 9** Scratch resistant powder coat finish
- 10** Stem fitting castor wheels for easy replacement
- 11** Constructed of high strength and lightweight materials
- 12** Access holes to lower shelf
- 13** Shape of frame allows for hoses and cables from ventilators
- 14** Monitor frame can be set to a range of heights



INCUBATORS



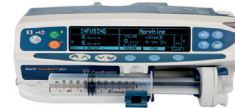
VENTILATORS



MONITORS



INFUSION PUMPS



SUCTION



COOLING



HUMIDIFIERS



NITRIC



INFANT RESUS TRANSFORMERS/UPS



EQUIPMENT HOLDERS CEN COMPLIANT TO BS EN 1789



Fisher & Paykel Neopuff



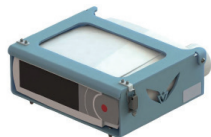
Laerdal LCSU4



Fabian HFO Ventilator



E size and nitric cylinders in single or double racks



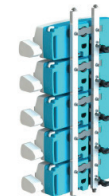
SenTec



Fisher & Paykel MR850



Tecotherm Neo and Criticool Mini



B Braun and Alaris Asena Infusion Pump ladder supports up to 5 pumps



PRICE GUARANTEE



The Vanguard Medical Price promise guarantees if you find a similar product or service cheaper elsewhere, we will meet or beat that price.

INFORMATION



As industry experts Vanguard Medical can help with advice on owning and using our products..

QUALITY



Our products and services are guaranteed to be of the highest quality. Our products are rigorously tested to ensure all standards are met.

COMPLIANCE



As Class 1 Medical Devices all of our training and servicing is certificated and documentation of what you have taken with Vanguard Medical is provided.

SATISFACTION



Feedback is always important to Vanguard Medical. In order for us to make a difference be honest and let us know how we can improve our services.

RELIABILITY



We always aim to deliver our products and services on time and our service procedure ensures your requirements will be met as requested.

VENDORS





VANGUARD MEDICAL

THE FOREFRONT OF MEDICAL TRANSPORTATION

VANGUARD MEDICAL

0121 828 8751

info@vanguard-medical.co.uk

www.vanguard-medical.co.uk